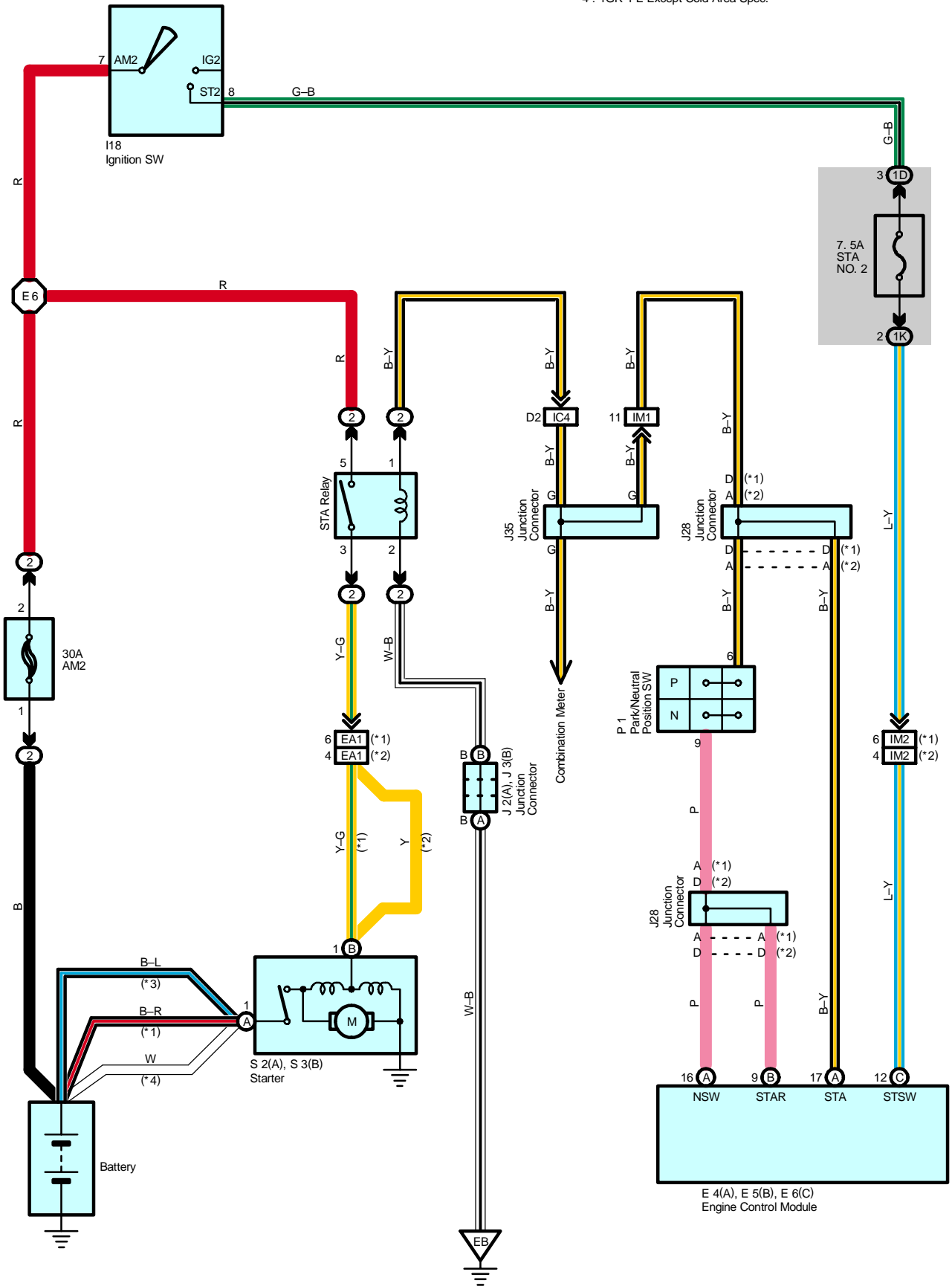


# Starting

- \* 1 : 2UZ-FE
- \* 2 : 1GR-FE
- \* 3 : 1GR-FE Cold Area Spec.
- \* 4 : 1GR-FE Except Cold Area Spec.



## Service Hints

### I18 Ignition SW

7-8 : Closed with the ignition SW at ST position

### S2 (A), S3 (B) Starter

Points closed with the shift lever at P or N position and the ignition SW at ST position

## : Parts Location

Code		See Page	Code		See Page	Code		See Page
E4	A	37	J3	B	33 (2UZ-FE)	S2	A	33 (2UZ-FE)
E5	B	37			35 (1GR-FE)			35 (1GR-FE)
E6	C	37	J28		38	S3	B	33 (2UZ-FE)
I18		37	J35		38			35 (1GR-FE)
J2	A	33 (2UZ-FE)	P1		33 (2UZ-FE)			
		35 (1GR-FE)			35 (1GR-FE)			

## : Relay Blocks

Code	See Page	Relay Blocks (Relay Block Location)
2	22	Engine Room R/B (Engine Compartment Left)

## : Junction Block and Wire Harness Connector

Code	See Page	Junction Block and Wire Harness (Connector Location)
1D	24	Engine Room Main Wire and Driver Side J/B (Lower Finish Panel)
1K	25	Instrument Panel Wire and Driver Side J/B (Lower Finish Panel)

## : Connector Joining Wire Harness and Wire Harness

Code	See Page	Joining Wire Harness and Wire Harness (Connector Location)
EA1	44 (2UZ-FE)	Engine No.2 Wire and Engine Room Main Wire (Under the Engine Room R/B)
	46 (1GR-FE)	
IC4	48	Instrument Panel Wire and Engine Room Main Wire (Left Kick Panel)
IM1	52	Engine Wire and Instrument Panel Wire (Right Side of Blower Unit)
IM2		

## : Ground Points

Code	See Page	Ground Points Location
EB	44 (2UZ-FE)	Front Left Fender
	46 (1GR-FE)	

## : Splice Points

Code	See Page	Wire Harness with Splice Points	Code	See Page	Wire Harness with Splice Points
E6	44 (2UZ-FE)	Engine Room Main Wire	E6	46 (1GR-FE)	Engine Room Main Wire