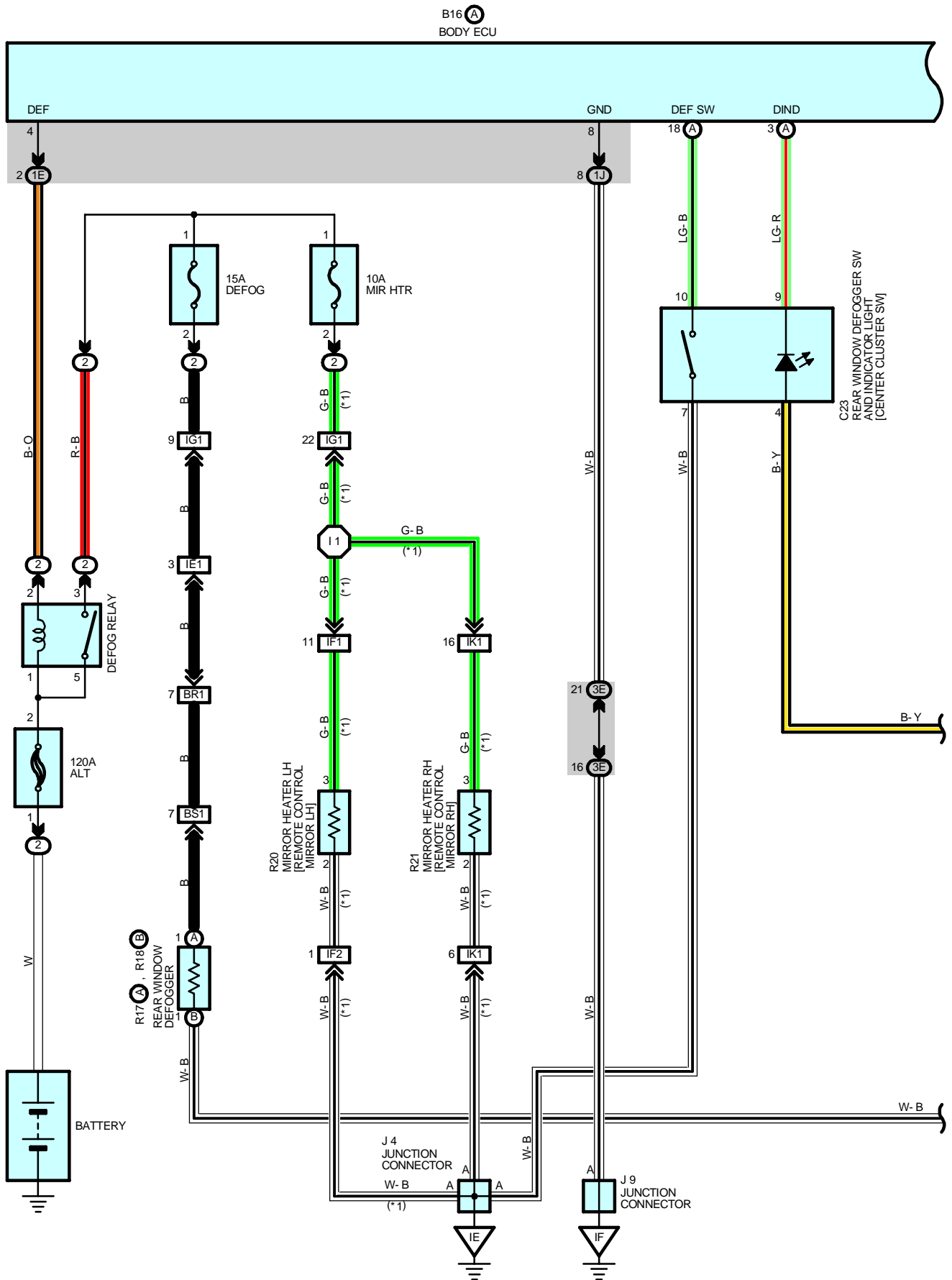
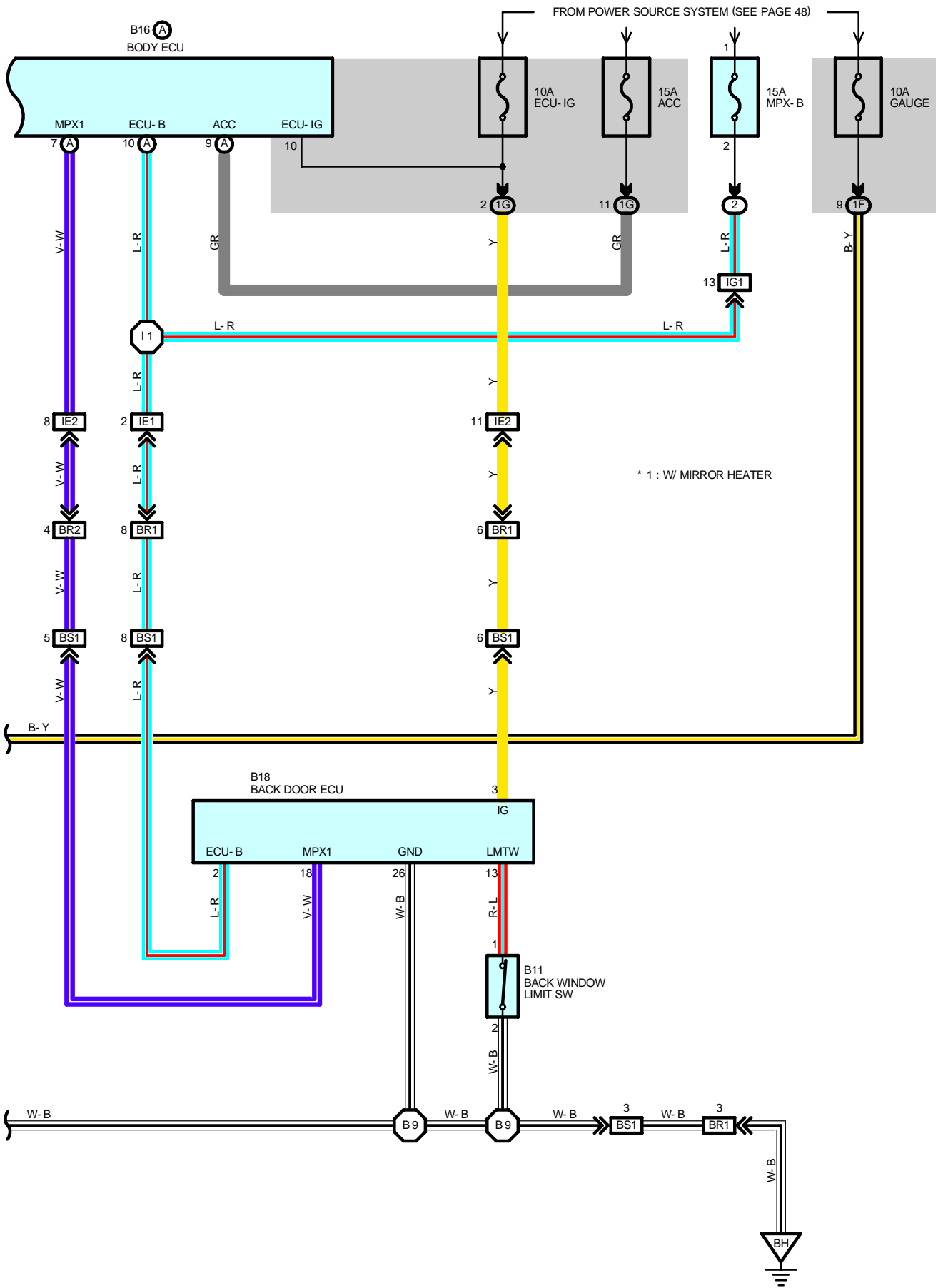


REAR WINDOW DEFOGGER AND MIRROR HEATER





REAR WINDOW DEFOGGER AND MIRROR HEATER

SYSTEM OUTLINE

When the rear window defogger SW (Center cluster SW) is turned on while the ignition SW is on and the back window is closed, the rear window defogger and mirror heater is operated through the control of the body ECU, and the rear window defogger indicator light comes on.

SERVICE HINTS

B11 BACK WINDOW LIMIT SW

1-2 : Closed with back power window fully closed

DEFOG RELAY

3-5 : Closed with ignition SW at **ON** position, rear window fully closed (Limit SW on) and rear window defogger SW on

○ : PARTS LOCATION

Code	See Page	Code	See Page	Code	See Page
B11	32	J4	31	R20	33
B16	A 30	J9	31	R21	33
B18	32	R17	A 33		
C23	30	R18	B 33		

○ : RELAY BLOCKS

Code	See Page	Relay Blocks (Relay Block Location)
2	22	Engine Room R/B (Engine Compartment Left)

○ : JUNCTION BLOCK AND WIRE HARNESS CONNECTOR

Code	See Page	Junction Block and Wire Harness (Connector Location)
1E	24	Engine Room Main Wire and Driver Side J/B (Lower Finish Panel)
1F	24	Cowl Wire and Driver Side J/B (Lower Finish Panel)
1G		
1J		
3E	26	Cowl Wire and Center J/B (Near the Steering Column Tube)

□ : CONNECTOR JOINING WIRE HARNESS AND WIRE HARNESS

Code	See Page	Joining Wire Harness and Wire Harness (Connector Location)
IE1	38	Cowl Wire and Floor No.2 Wire (Left Kick Panel)
IE2		
IF1	38	Front Door LH Wire and Cowl Wire (Left Kick Panel)
IF2		
IG1	38	Engine Room Main Wire and Cowl Wire (Left Kick Panel)
IK1	40	Front Door RH Wire and Cowl Wire (Right Kick Panel)
BR1	42	Back Door No.1 Wire and Floor No.2 Wire (Left Rear Side of Roof)
BR2		
BS1	42	Back Door No.1 Wire and Back Door No.2 Wire (Back Door Left)

▽ : GROUND POINTS

Code	See Page	Ground Points Location
IE	38	Cowl Side Panel LH
IF	38	Cowl Side Panel RH
BH	42	Left Quarter Panel Inner

○ : SPLICE POINTS

Code	See Page	Wire Harness with Splice Points	Code	See Page	Wire Harness with Splice Points
I1	40	Cowl Wire	B9	42	Back Door No.2 Wire

