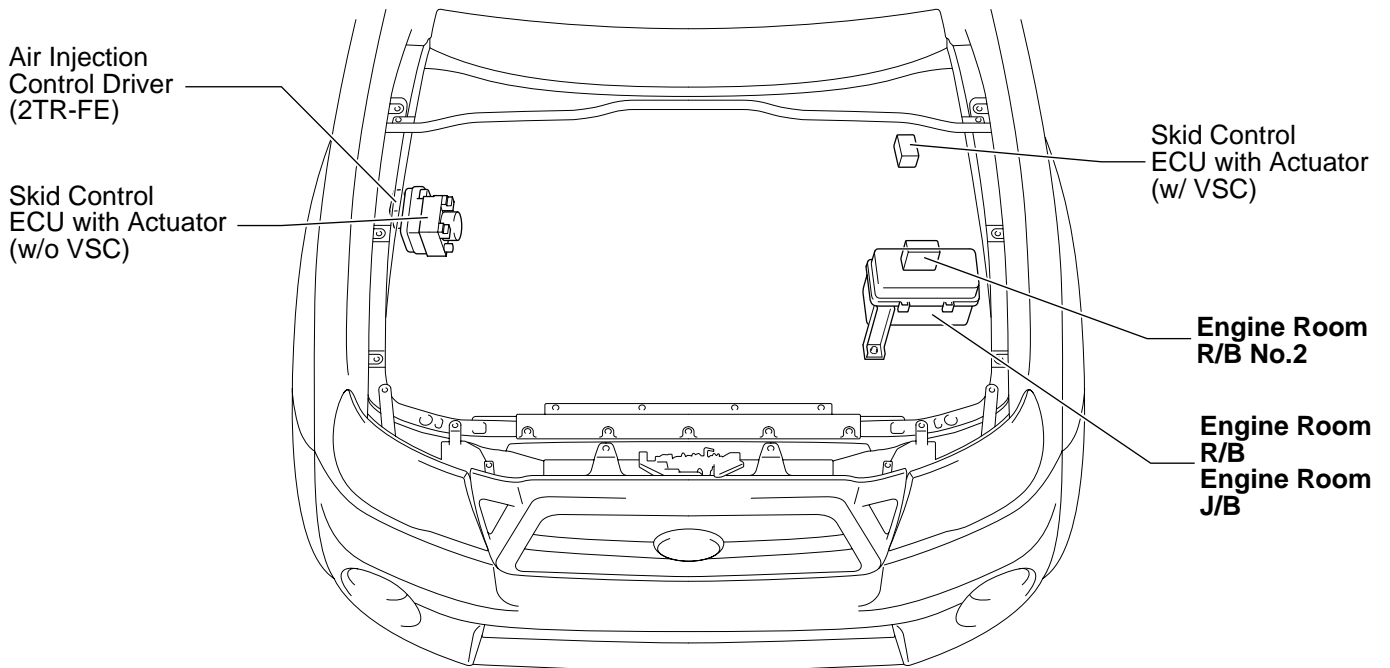
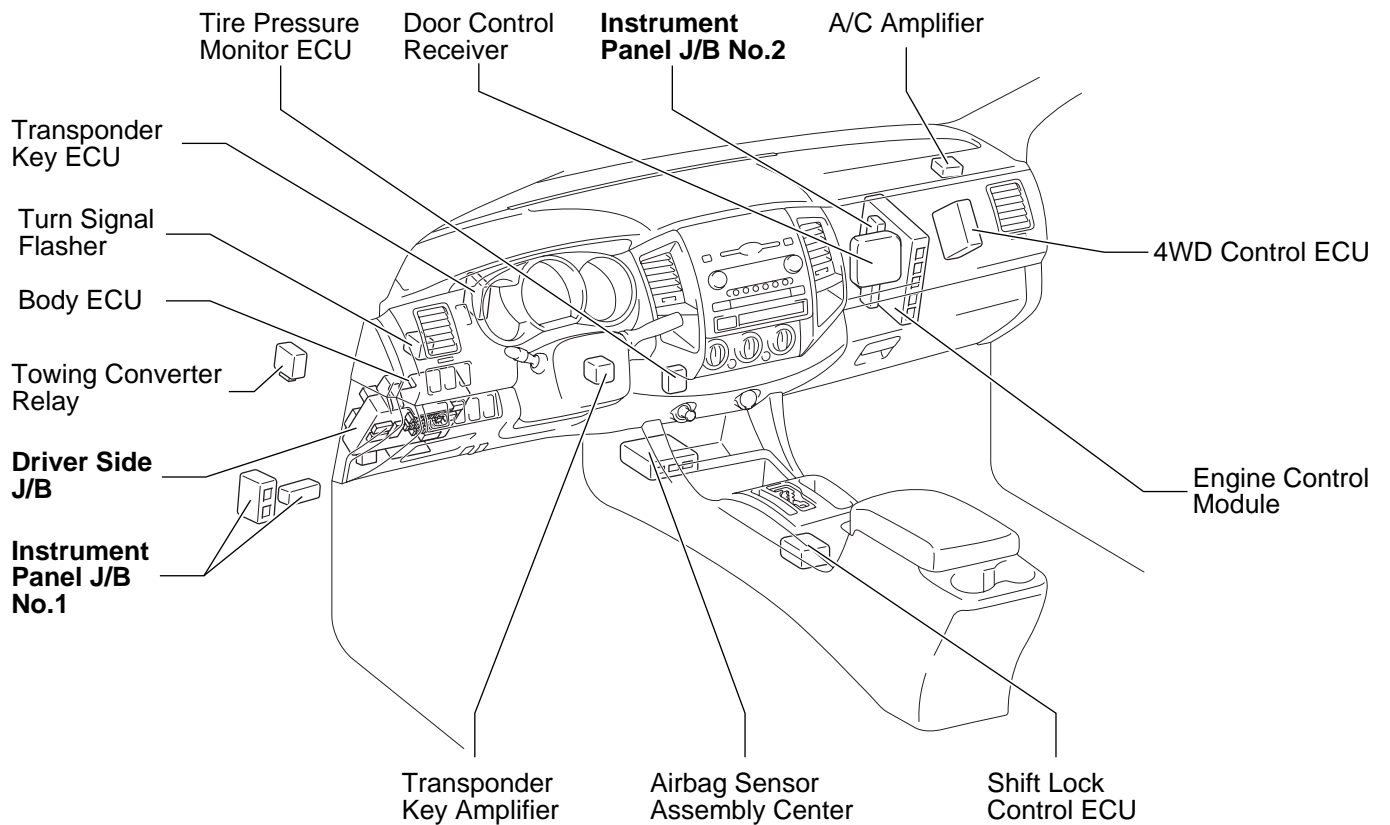


F RELAY LOCATIONS

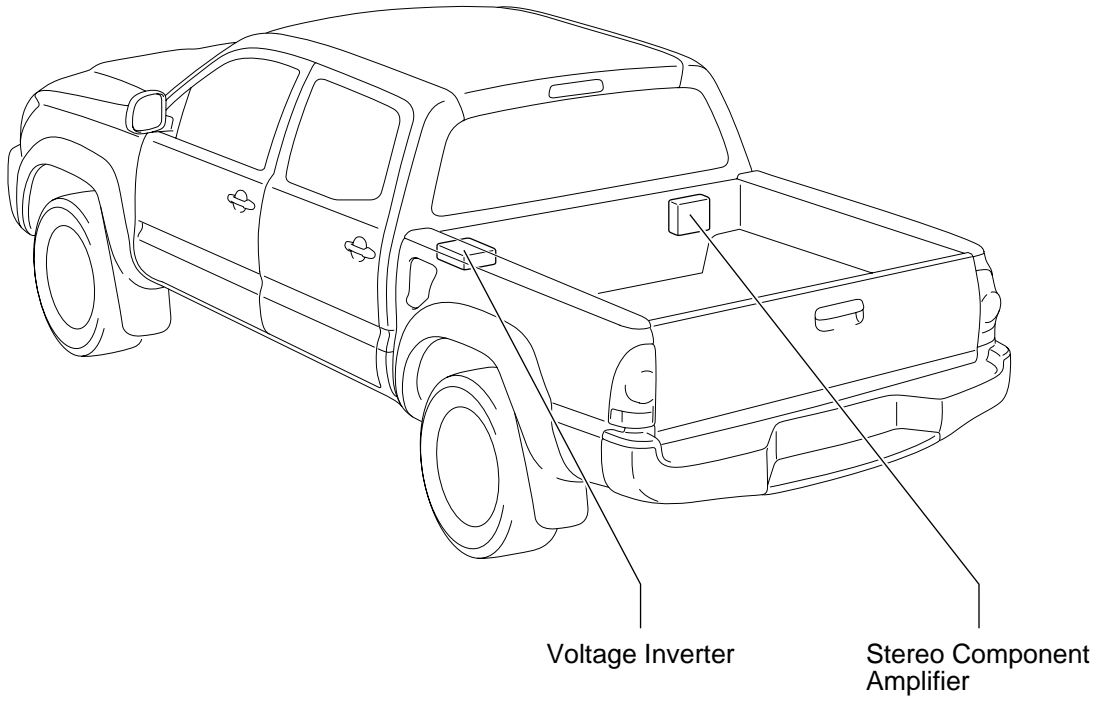
[Engine Compartment]



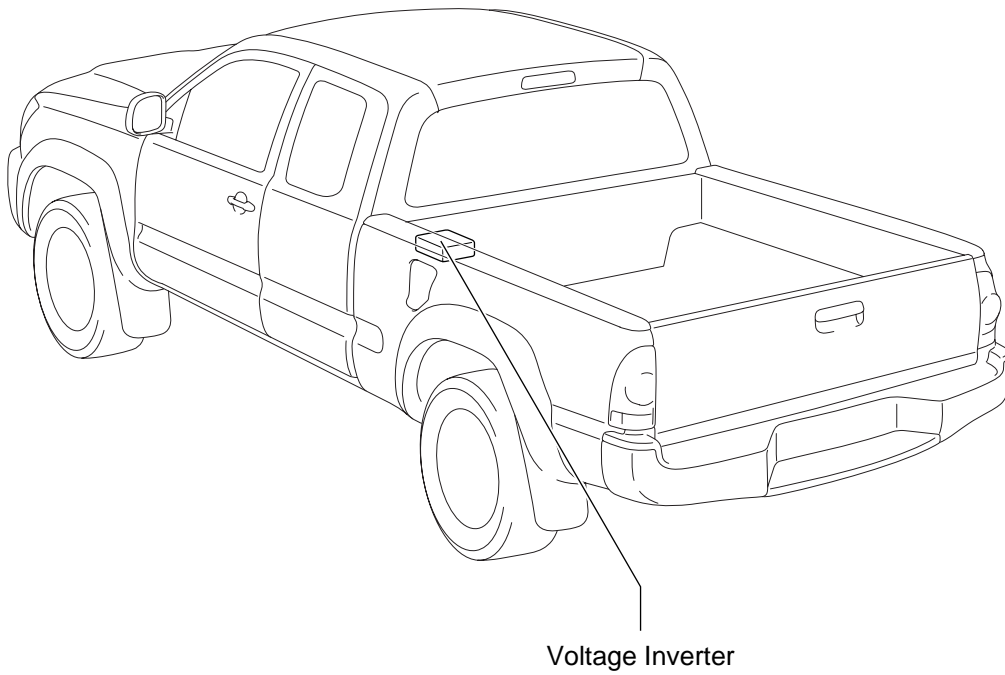
[Instrument Panel]



**[Body]
(Double Cab)**

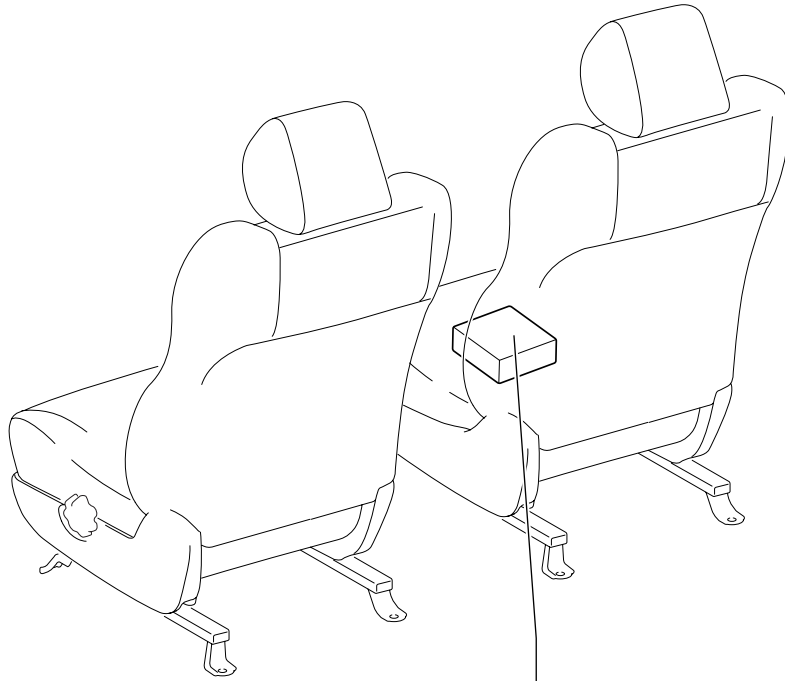


(Access Cab)



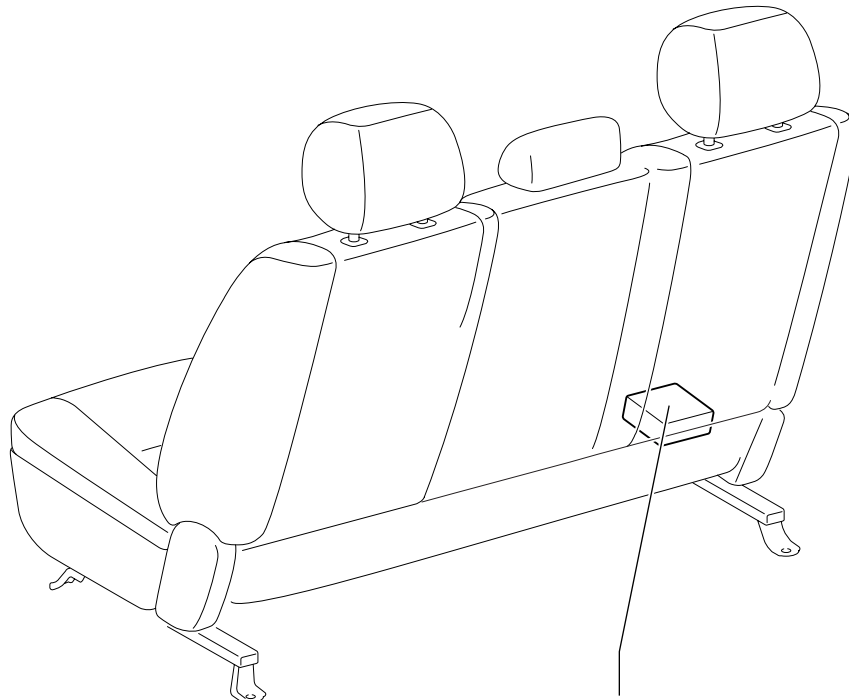
F RELAY LOCATIONS

[Seat]
(Separate Seat)



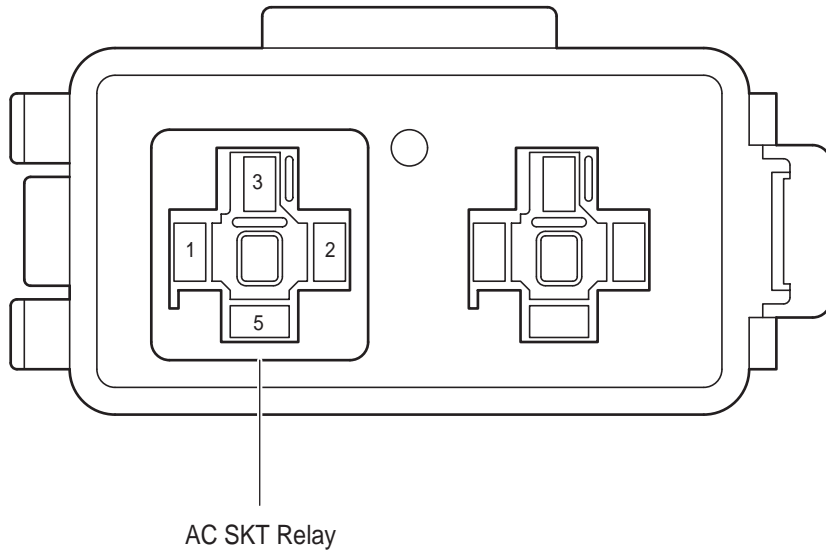
Occupant Classification ECU

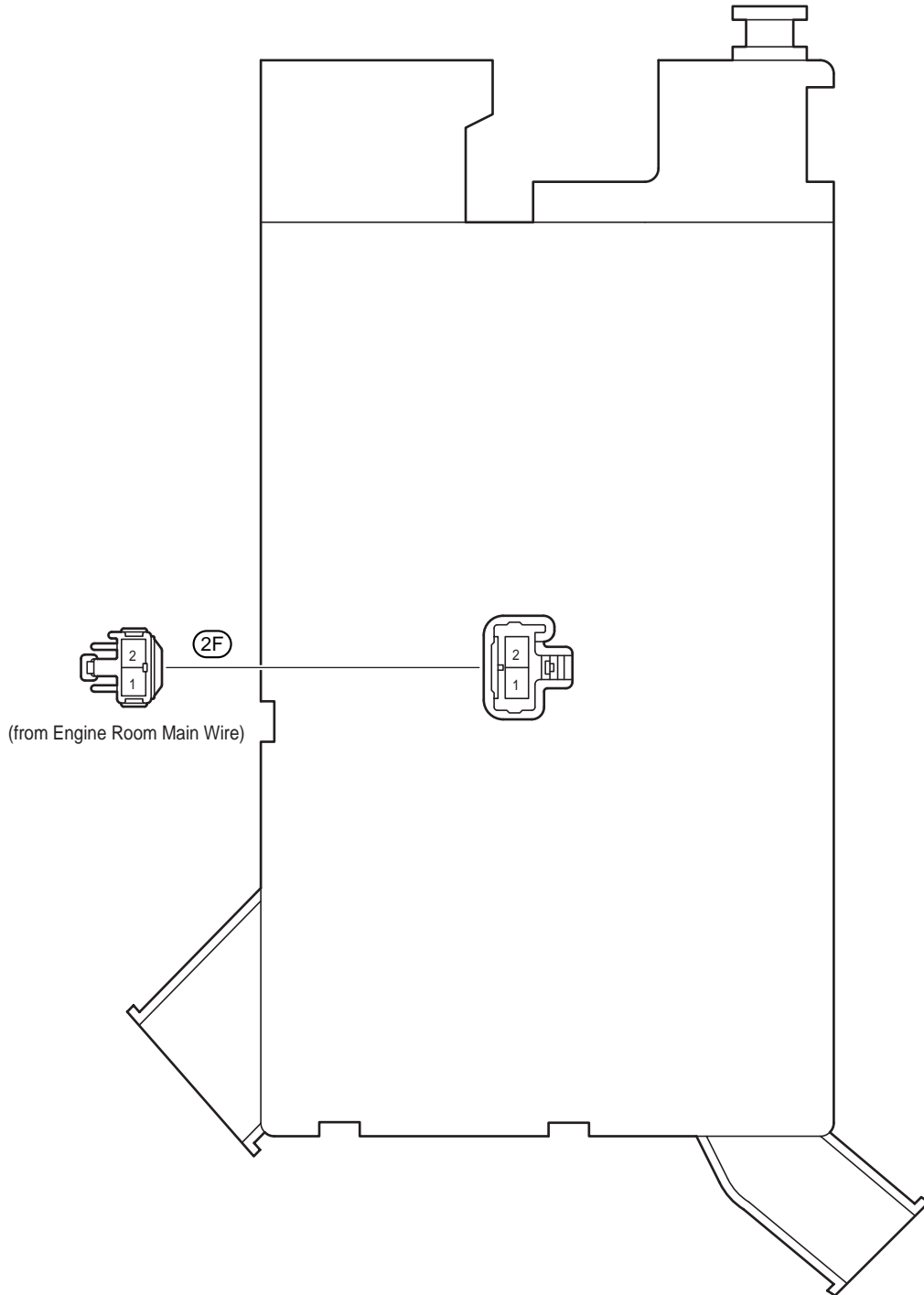
(Bench Seat)



Occupant Classification ECU

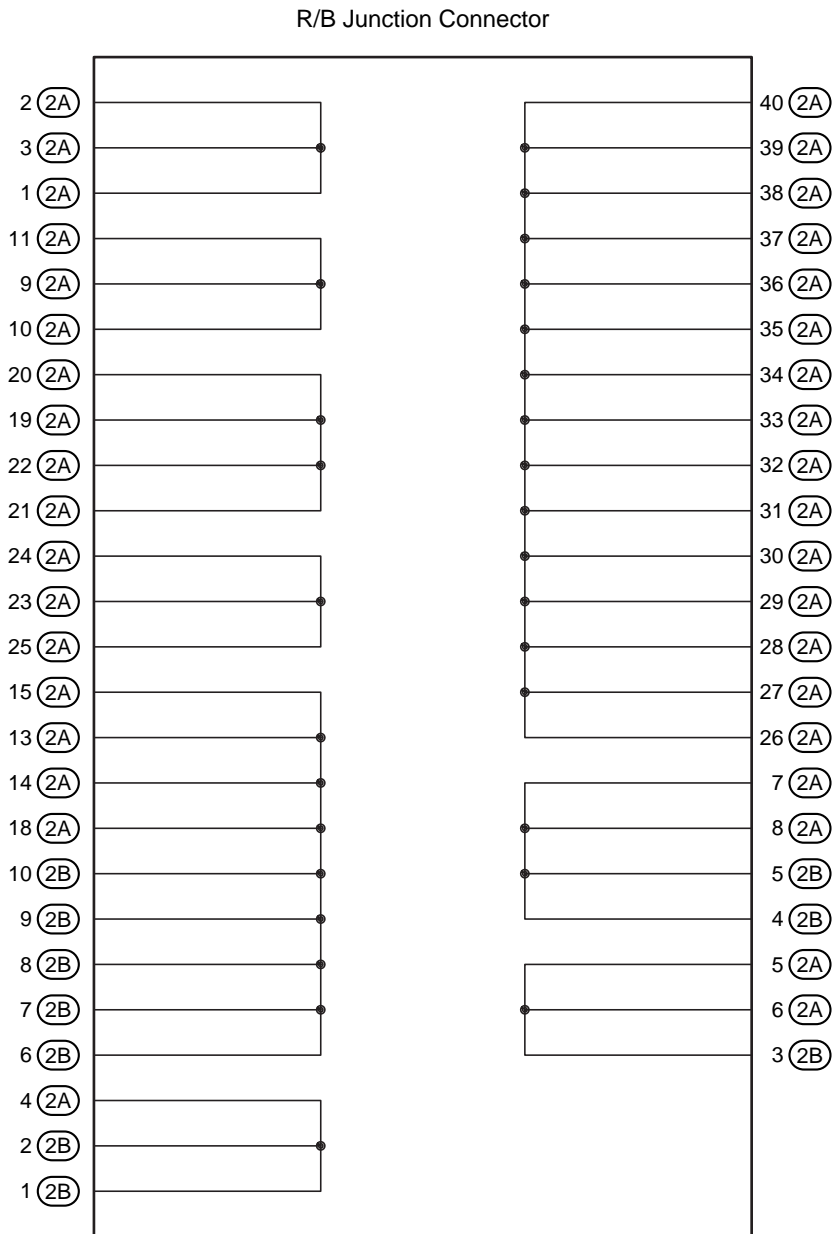
③ : Engine Room R/B No.2 | Engine Compartment Left (See Page 20)





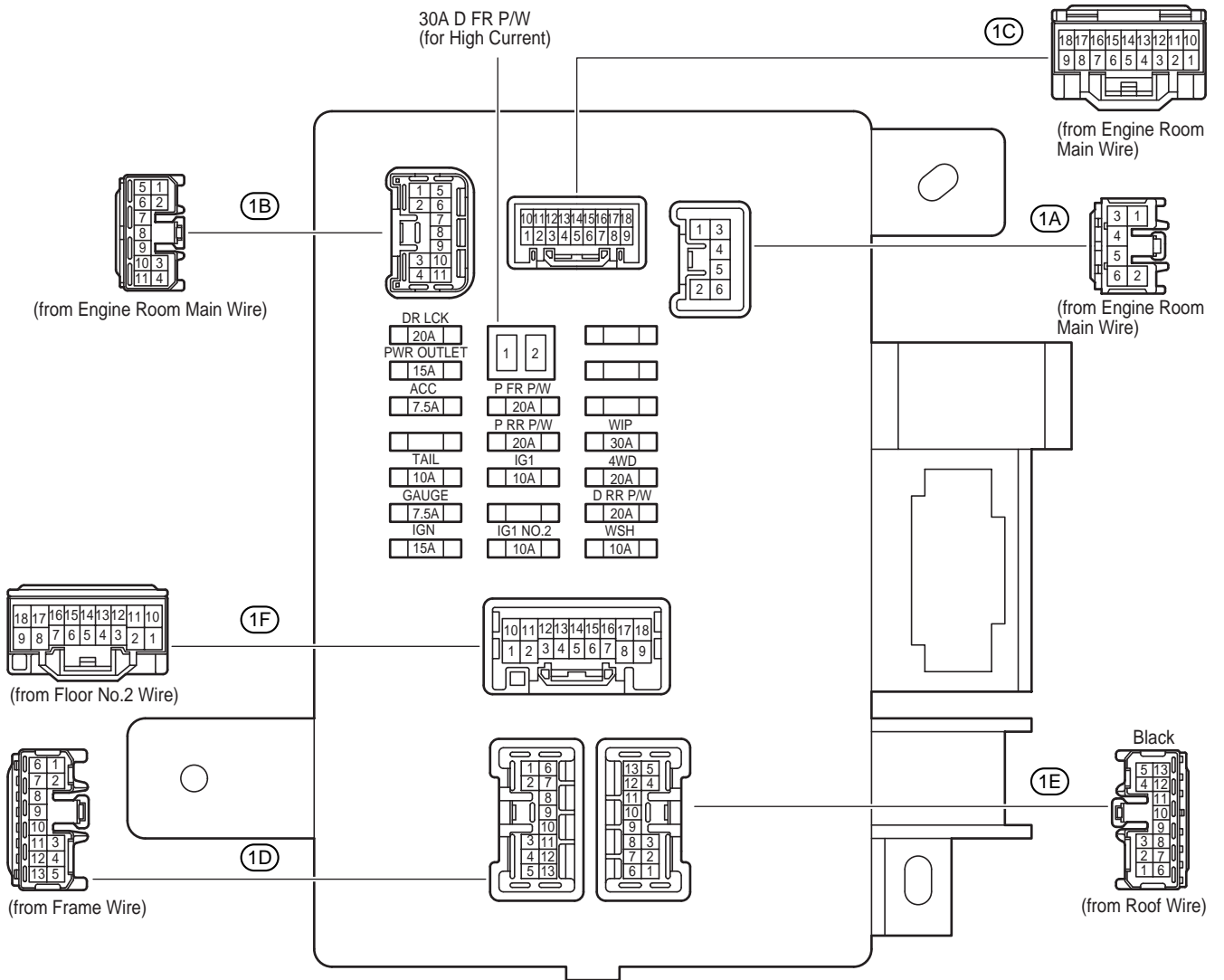
F RELAY LOCATIONS

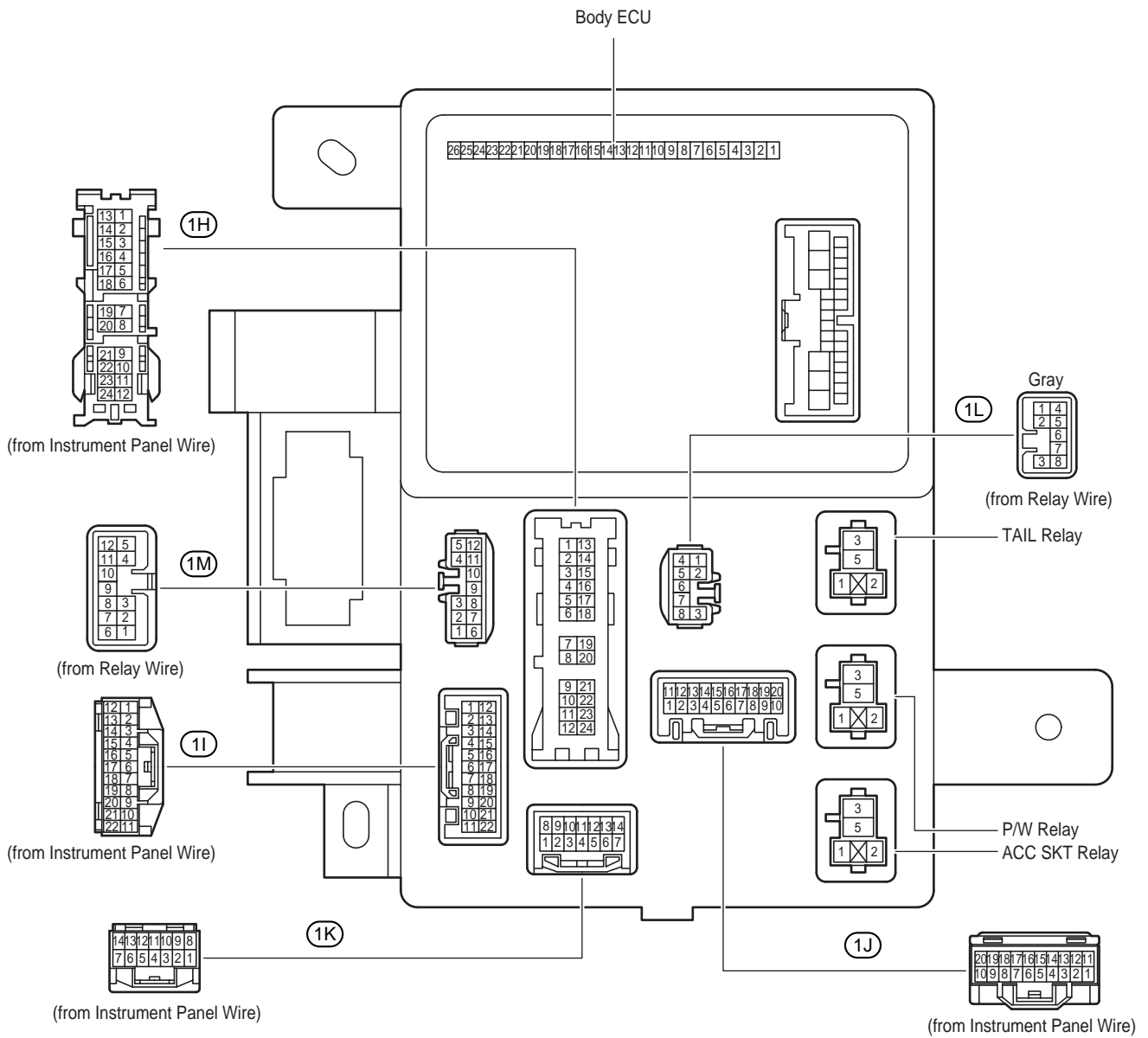
[Engine Room R/B Junction Connector Inner Circuit]



F RELAY LOCATIONS

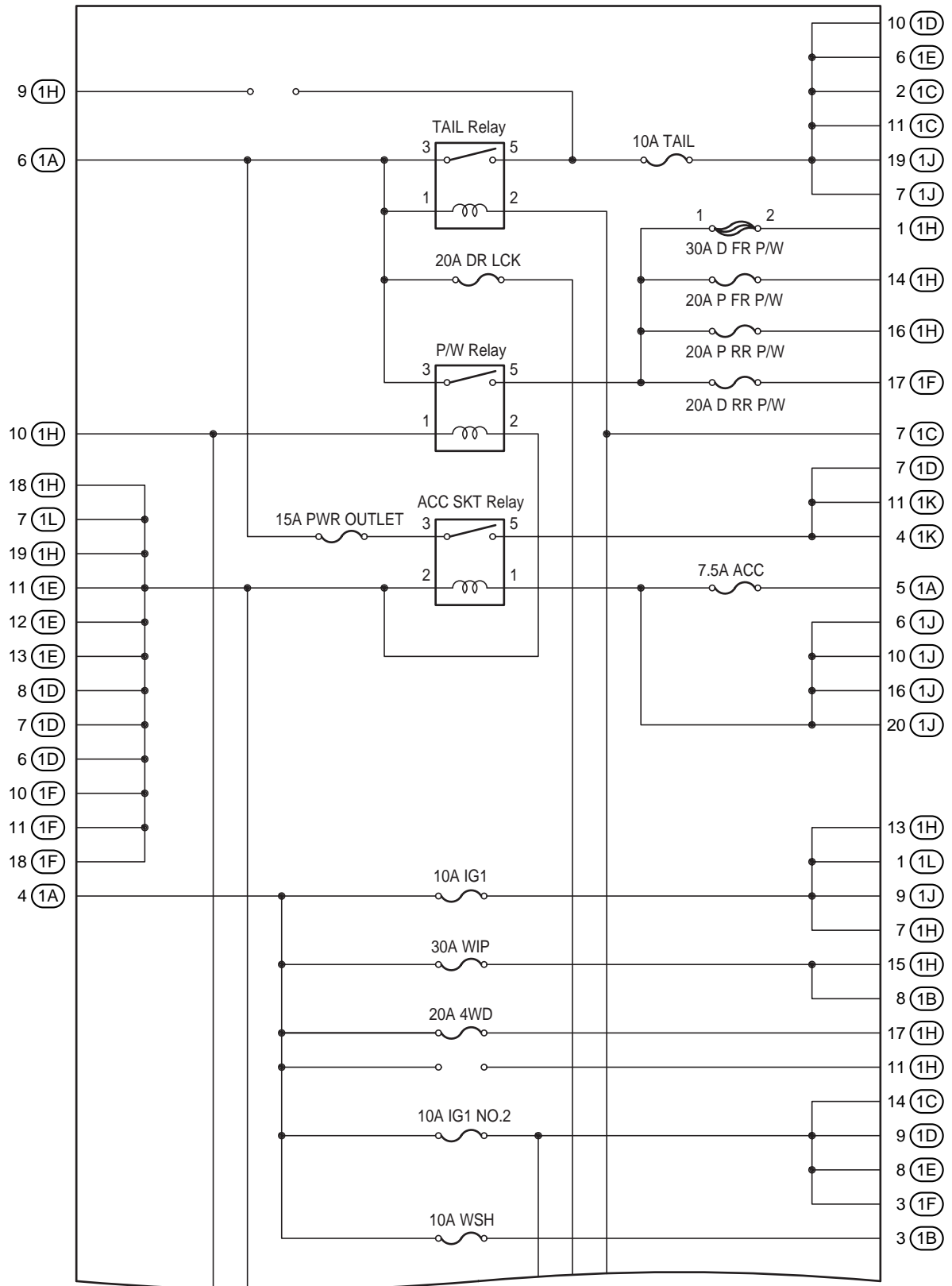
○ : Driver Side J/B Lower Finish Panel (See Page 20)





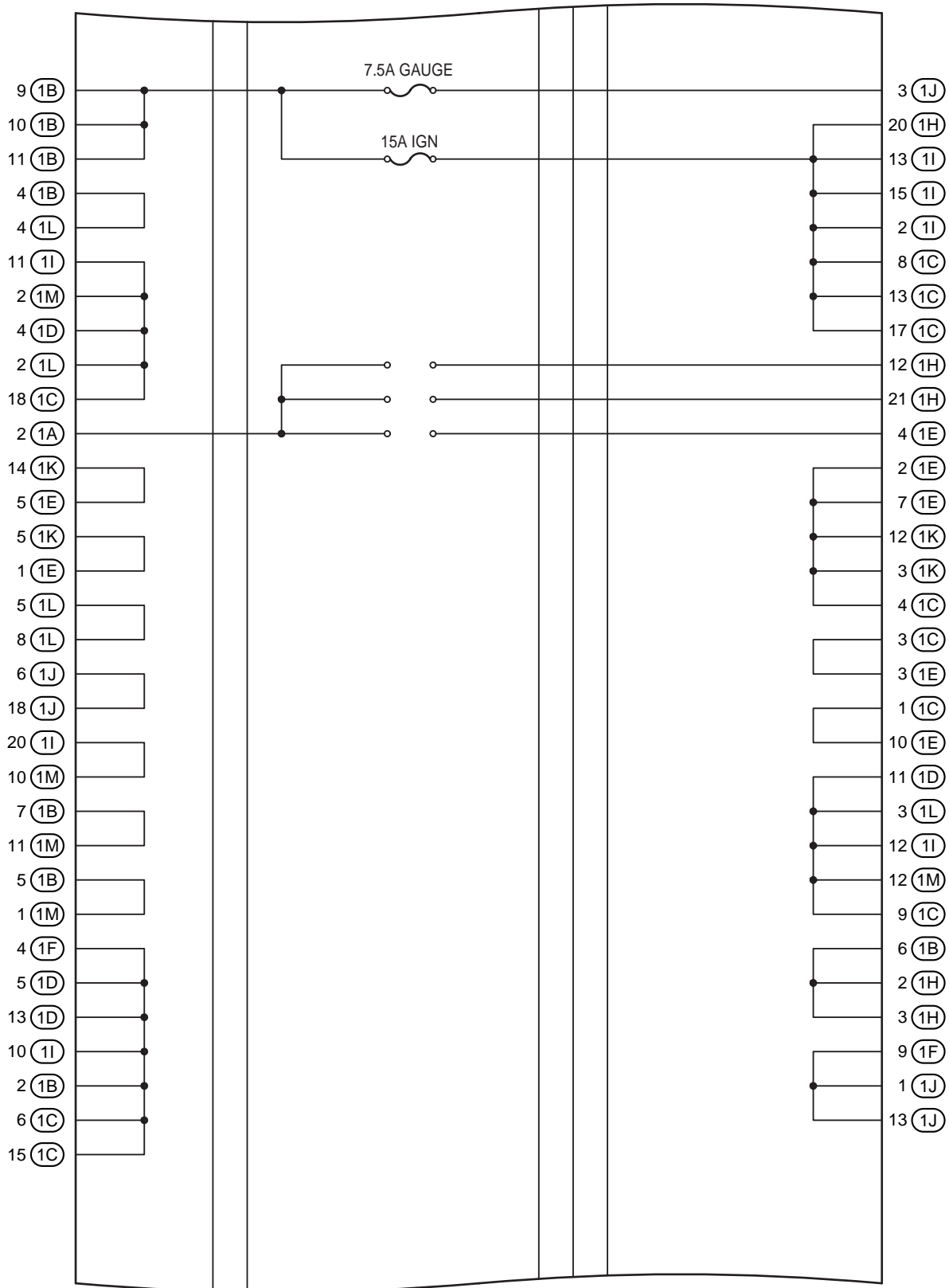
F RELAY LOCATIONS

[Driver Side J/B Inner Circuit]



(Cont. Next Page)

(Cont'd)

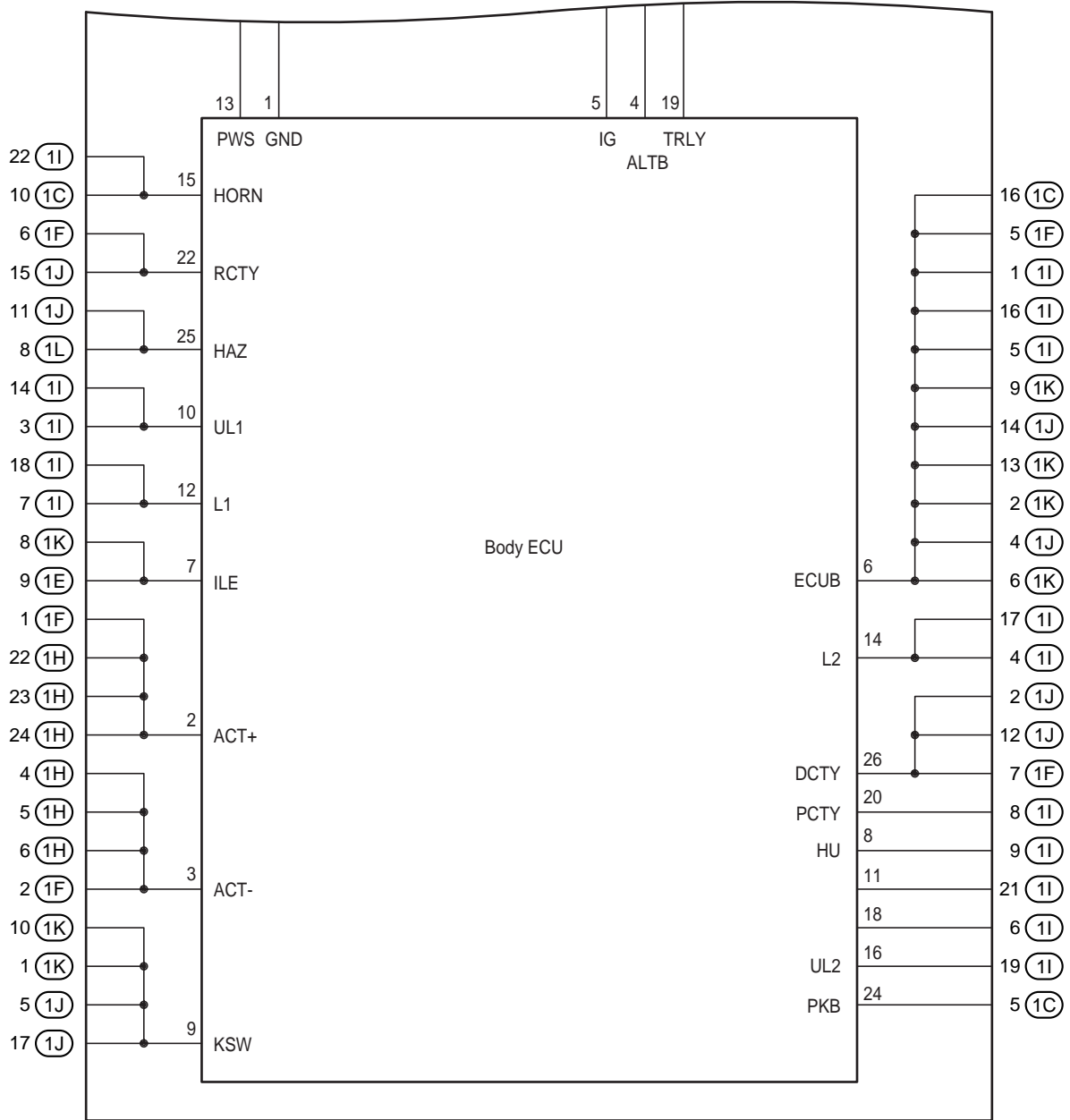


(Cont. Next Page)

F RELAY LOCATIONS

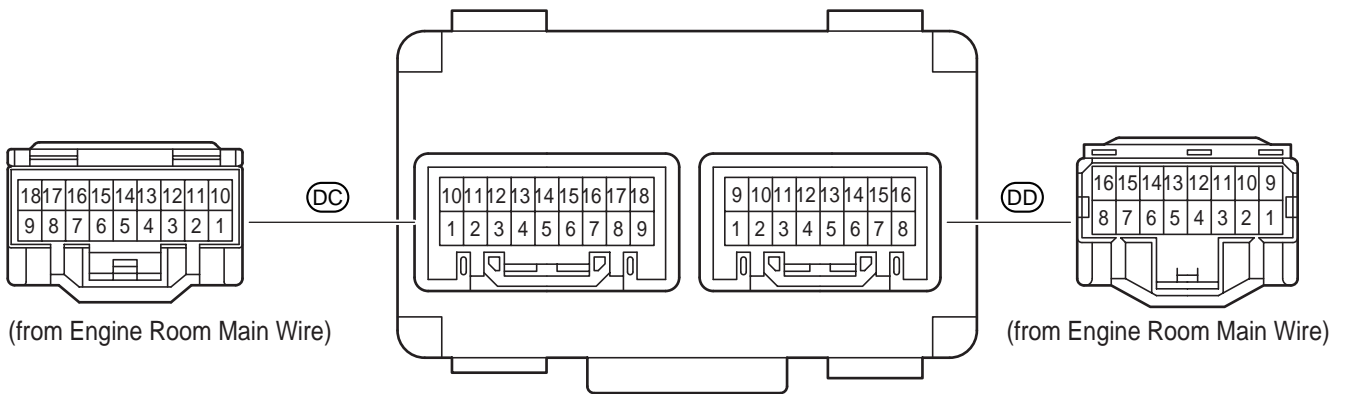
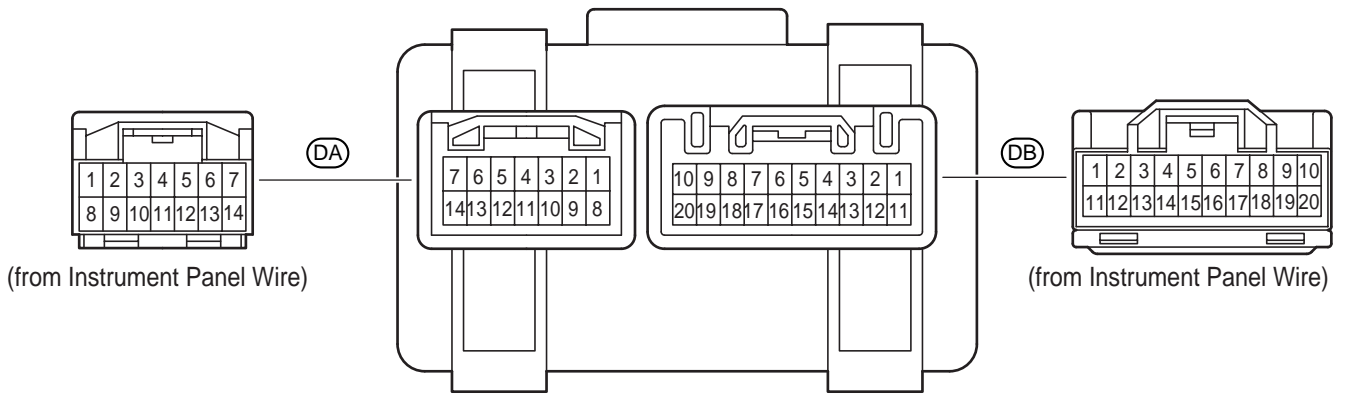
[Driver Side J/B Inner Circuit]

(Cont'd)

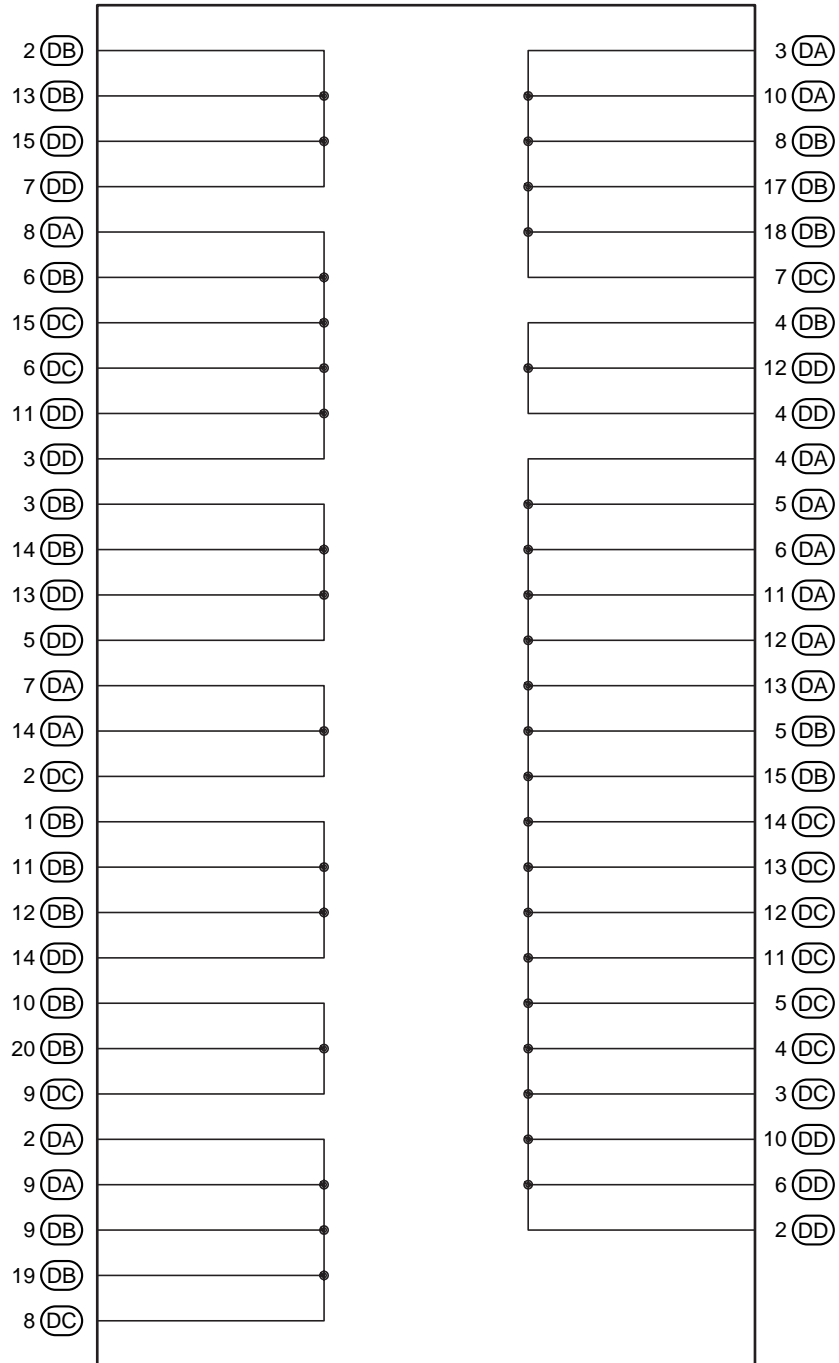


F RELAY LOCATIONS

○ : Instrument Panel J/B No.1 | Left Kick Panel (See Page 20)

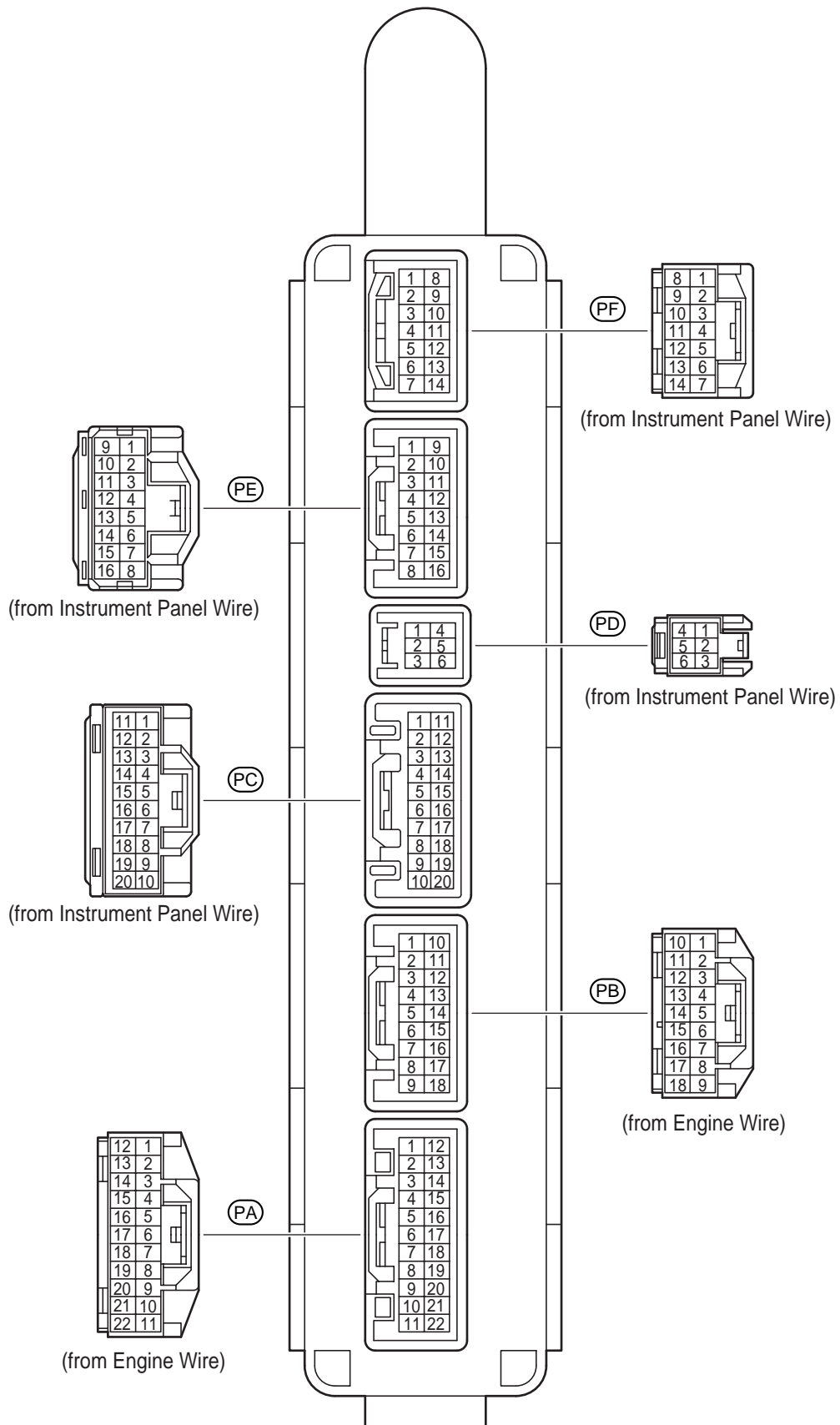


[Instrument Panel J/B No.1 Inner Circuit]



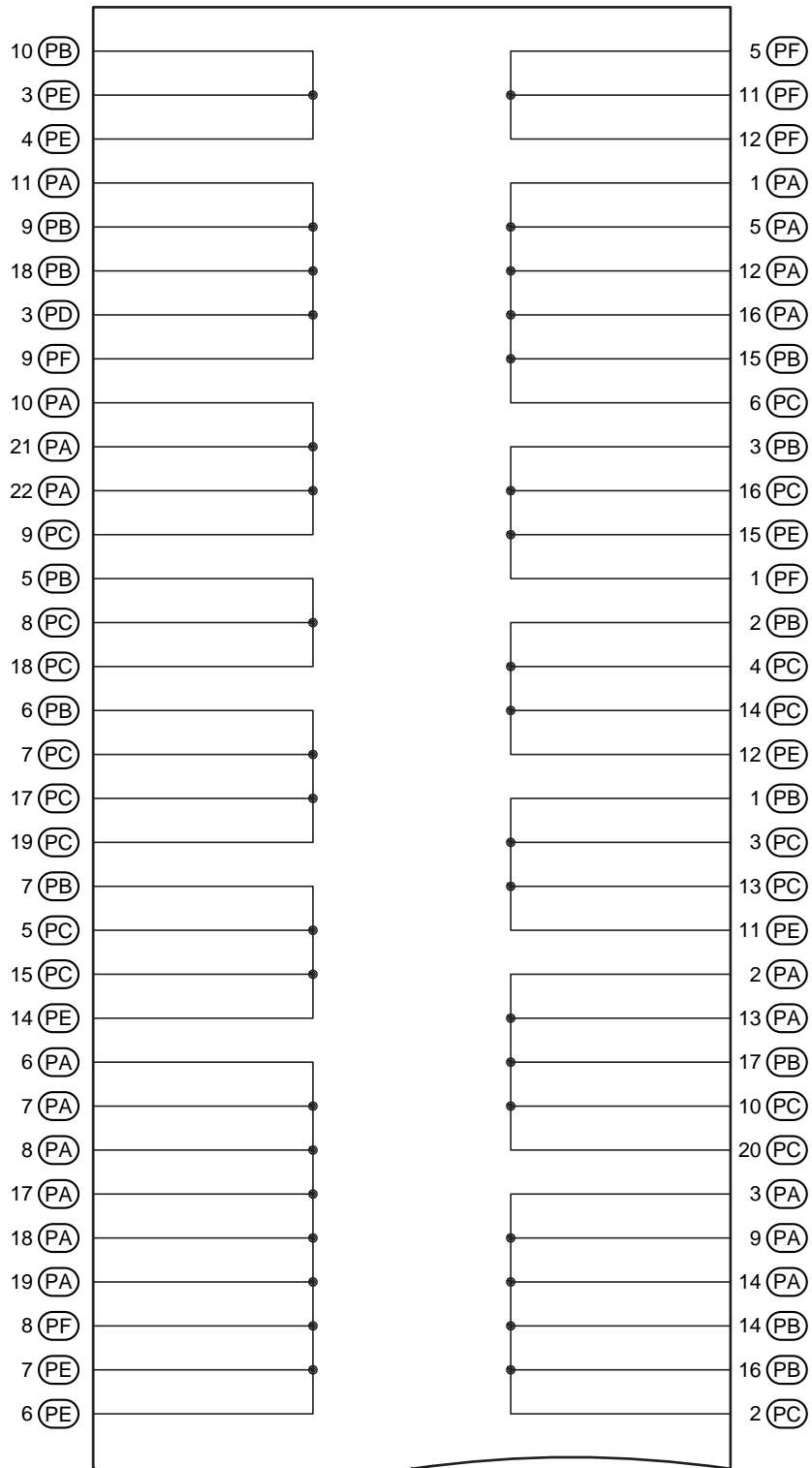
F RELAY LOCATIONS

○ : Instrument Panel J/B No.2 **Right Side of Glove Box (See Page 20)**



F RELAY LOCATIONS

[Instrument Panel J/B No.2 Inner Circuit]



(Cont. Next Page)

(Cont'd)

